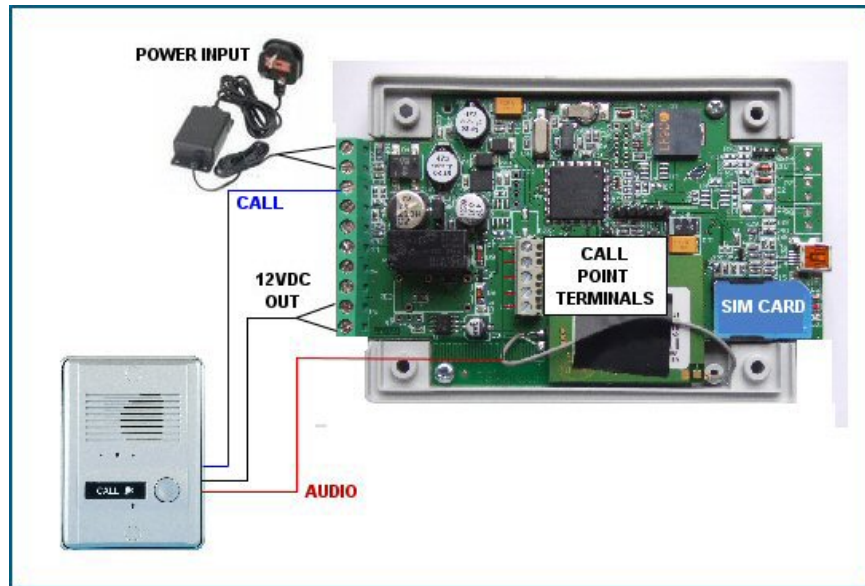


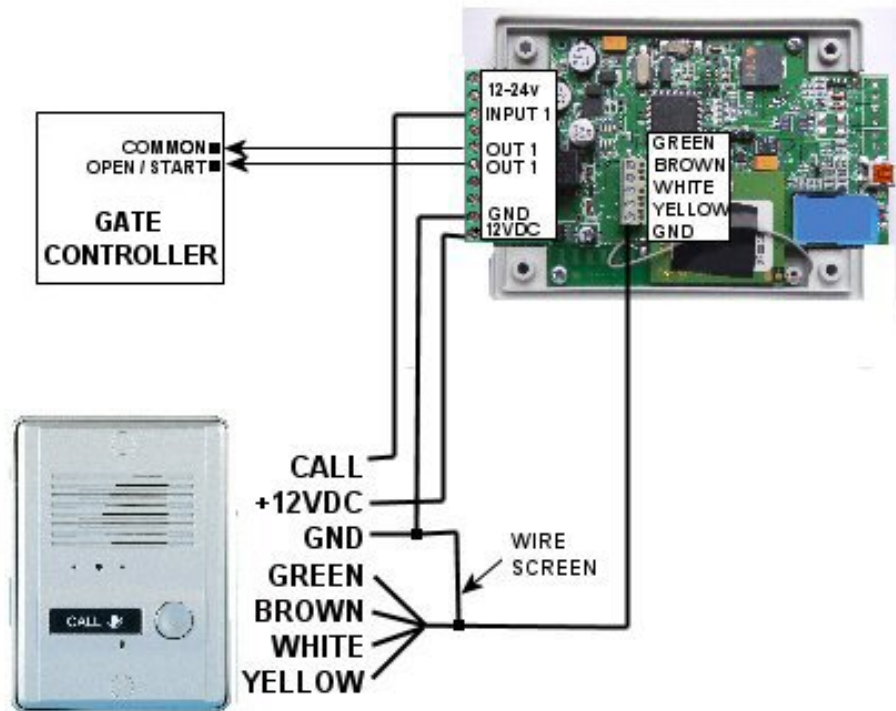
## GSW2-DE GSM Intercom Version Wiring Diagrams

To copy the relevant image below, right click your mouse & select 'save image as'. Then store the image to your PC for your reference.

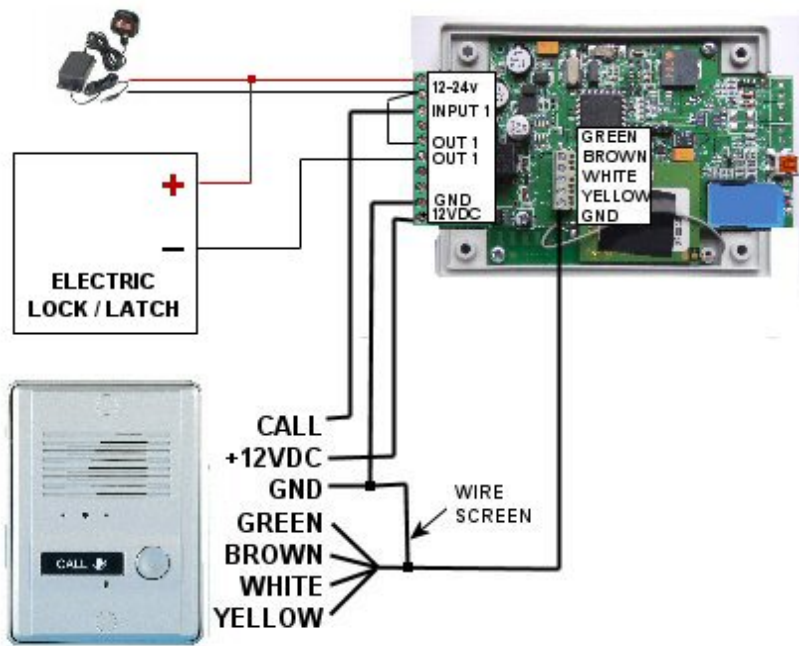
### Connection Overview



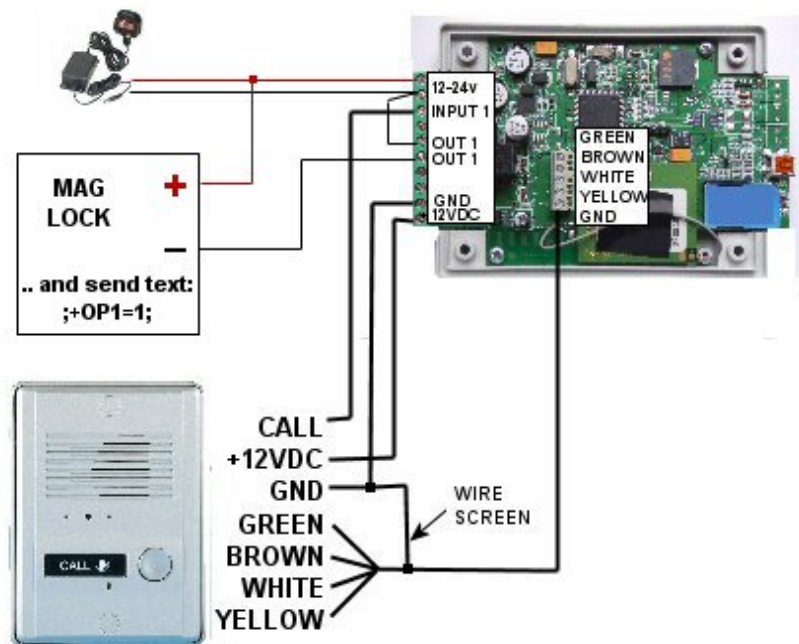
### Logic Controllers (Gates, Barriers, Pumps, Reticulation, etc: N/O switch)



**Electric Locks (Pedestrian gate locks, door strike / latch, dropbolts etc: N/O switch)**



**Magnetic Locks (send the SMS text ;+OP1=1; to set the correct output ie: N/C switch)**



If you're unsure which set up you need, call the anytime support line **0870 919 5315**