



GSW2 GSM Intercom - QUICK START GUIDE

Introduction...

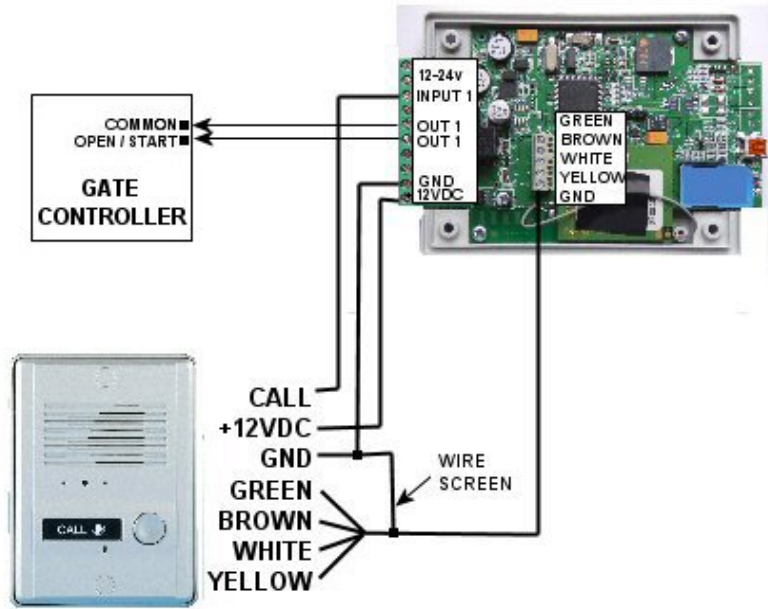
- Thanks for choosing GSW2
- GSW2 is a multi-function intercom, access & alert device useful for many applications. See [here](#) for the Complete Manuals for GSW2
- To get the most out of GSW2 check out the PC programming software [here](#)

GETTING STARTED QUICKLY

i) Make the Minimum Connections

- Connect the device as per the diagram below. If you are connection a lock or otherwise, contact Support if you are unsure how to connect it.
- Insert the SIM card gold contacts down and as shown on the lid
- Connect the power supply; + (positive - black with white mark) into the first terminal at the top. - (negative - 2nd terminal from the top)

Connection Diagram:



Electric Locks (Pedestrian gate locks, door strike / latch, dropbolts etc: N/O switch)

- GSW2 can switch any type of door lock, gate or any other device. Switching electronic locks requires more care as the controller can be damaged if not connected properly. [Contact support](#) for advise based on your application.

ii) Important note on the SIM card used

Insert the SIM card gold contacts down with the cut off corner to the top RHS as shown on the lid diagram. **If using an 02 UK PAYT SIM card, send this text message from any phone to the 02 SIM card first before sending any other: ;+SPO=10;**

iii) Power Up & Check the LED Status indicates the device is ready for SMS text programming

Switch on the power supply. The LED's flash in a particular way while starting up and then change when GSW2 is ready for use. Check that the LED's are as indicated below (READY) after about 30s - 1min. If not, see the LED indicators display notes below.

LED	STATUS (FLASHING)
BLUE (START UP)	SOLID
YELLOW (START UP)	FLASHES ONCE PER SECOND
RED (START UP)	FLASHES WHILE READING SIM CARD ONLY
BLUE (READY)	FLASHES TO INDICATE SIGNAL (1 LOW - 5 MAX.)
YELLOW (READY)	FLASHES ONCE PER 5 SECONDS
RED (READY)	OFF

iv) Set the minimum programming to test the intercom

REMEMBER: At this point, if using an 02 UK PAYT SIM card, send this text message first before any other: **;+SPO=10;** When you receive the reply as the same, carry on as follows...

Quick start:

1. Send SMS ;+WMOD=1;
 2. Send SMS ;+ATN1=xxxxxxxxxxx; where xxxxxxxxxxxx = the number it will call
- NOTE: Enter a '+' symbol only after the very first ';' to get a confirmation reply text message*
3. Connect the call button wire to Input 1
 4. Insert a SIM with credit
 5. Power the GSW2
 6. Wait for the Blue LED to start flashing and the red turn off completely
 7. Press the call button to test audio

Set the numbers called by button 1 (INPUT 1)

;+ATN1=xxxxxxxxxxx; where xxxxxxxxxxxx = the first phone number called
;+ATN2=xxxxxxxxxxx; where xxxxxxxxxxxx = the second phone number called
...
;+ATN5=xxxxxxxxxxx; where xxxxxxxxxxxx = the fifth phone number called

Set the numbers called by button 2 (INPUT 2)

;+BTN1=xxxxxxxxxxx; where xxxxxxxxxxxx = the first phone number called
;+BTN2=xxxxxxxxxxx; where xxxxxxxxxxxx = the second phone number called
...
;+BTN5=xxxxxxxxxxx; where xxxxxxxxxxxx = the fifth phone number called

iv) Set the inputs as call buttons or alarm inputs

The 2 inputs are alarm inputs by default. You must set at least one of them as a call button input in order to use the GSM intercom.

Set INPUTS as Call Button inputs

;+WMOD=xx; where xx = the input number/s (1 and/or 2) ie: ;+WMOD=12 means INPUT 1 & 2 are call button inputs

Set INPUTS as SMS Alert inputs

;+WMOD=x; where x = nothing ie: ;+WMOD=; means INPUT 1 & 2 are both alert inputs. ;+WMOD=1; means only INPUT 2 is an alert input.

v) You may wish to change some other intercom parameters

;+RTNA=xx; where 'xx' = the delay time in seconds between calling numbers on button 1
;+RTNB=xx; where 'xx' = the delay time in seconds between calling numbers on button 2
;+LOT=xx; where 'xx' = the maximum time in seconds the call time will stay connected
;+OS1=xx; where 'xx' = the switching status of output 1 ('1' = latch) ('2' = 2 sec pulse) ('15' = 15 sec pulse)
;+OS2=xx; where 'xx' = the switching status of output 2 ('1' = latch) ('2' = 2 sec pulse) ('15' = 15 sec pulse)

pulse)

:+SPK=xx; where 'xx' = the volume of the call point speaker 75 minimum - 100 maximum (default 80)

vi) Set up the free call access feature to switch the device relay

You can set up to 200 authorised users into GSW2 who can simply call the SIM card in it free of charge to activate output 1. This is typically used to open a gate or barrier for the Users' mobile phones without the need for remote control keyfobs.

Send this text message to set Users:

;+CLP1=xxxxxxxxxxxx; where xxxxxxxxxxxx = User 1 phone number

;+CLP2=xxxxxxxxxxxx; where xxxxxxxxxxxx = User 2 phone number

...

;+CLP200=xxxxxxxxxxxx; where xxxxxxxxxxxx = User 200 phone number

You can enter multiple Users by stringing the commands together separated with a ';' symbol as follows:

;+CLP1=xxxxxxxxxxxx;CLP2=xxxxxxxxxxxx;CLP3=xxxxxxxxxxxx;

To delete Users simply send the User command/s without a number as follows:

;+CLP1=;CLP2=;CLP3=;

LED INDICATORS DISPLAY

The LED's are to indicate what is happening on the device at any given time.

1. **BLUE** GSM Network Signal Strength (1 Flash = Low Signal / 5 Flashes = Maximum Signal)

If the Blue is on solid, the device is not connected to the network. This indicates something is not right with the network. It will be antenna or SIM card related.

2. **RED** Device / Connection / Network Fault

Red will flash during start up to indicate the processor is reading the SIM card. It should not be on at all during normal operation. If the Red is solid or flashing at any time other than the initial 30 - 60 seconds after power up while the device logs onto the network; you have a fault somewhere. Check you have sufficient signal as this is most common.

3. **YELLOW** GSM Network (1 Flash/sec. = Registering & 1 Flash per 5 sec. = On Network)

The Yellow is only related to the Network initial registration & then reporting that the device is currently on the network. If the Yellow is not flashing once every 5 seconds, it is not on the Network.

For more features, you can see the 'Complete GSW2 Manual'.

**For further help, contact Anytime Technical Support on 0870 919
5315**